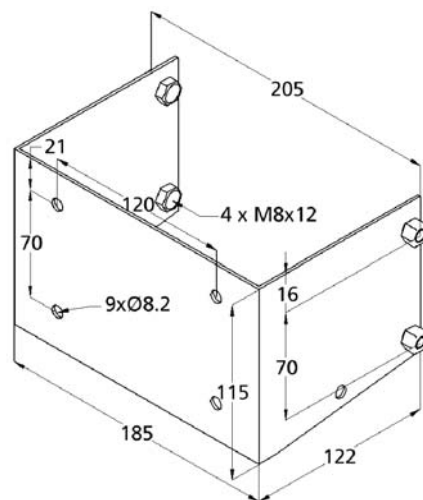
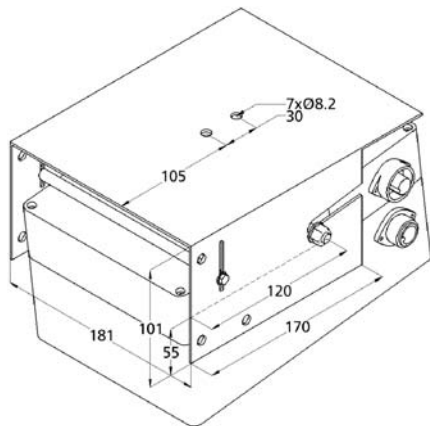


Mounting Accessories for Triple Tech Detectors TT 29x

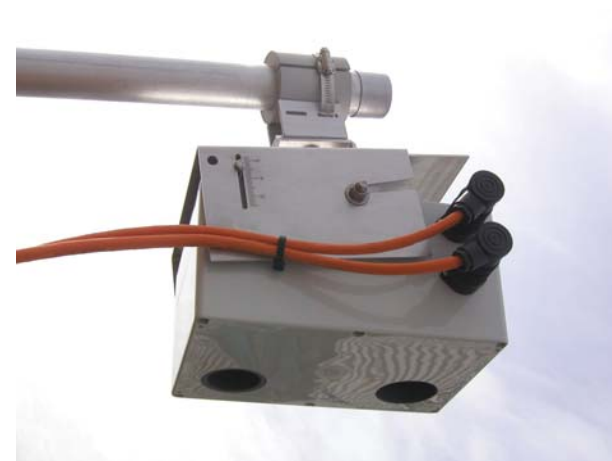
ZA V 290-L1 or ZA V 290-L1/V4A



ZA V 290-L2 or ZA V 290-L2/V4A



TT 29X mounted with ZA V 290-L1 and ZA V 290-L2



TT 29X mounted with ZA V 290-L1 and fixed overhead to a pole; wired with 402054 and 402058

For detector models TT 29X – XXX – L and TT 29X – XXX – R

Accessory bracket for installation on gantry
(4 x screws M8 x12 with safety nut are included)

Electrical Accessories for Triple Tech Detectors TT 29x

402054



Right-angle receptacle

402058



Right-angle plug

402035-120R



Plug with integrated terminating resistor 120 Ω

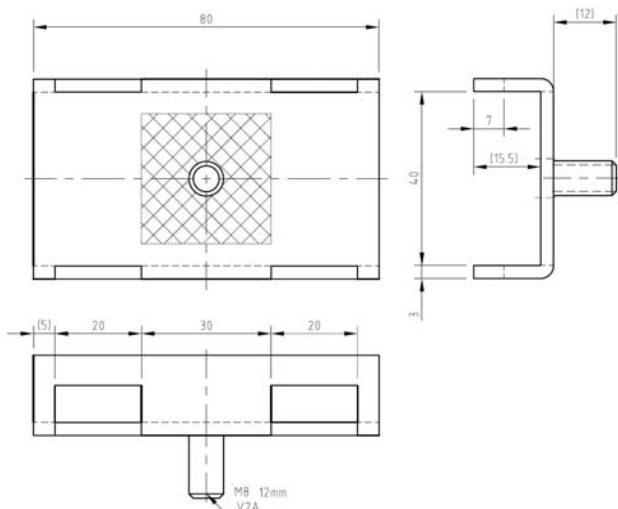
402055 / 402059



402055 Dust cap fitting plug
402059 Dust cap fitting receptacle

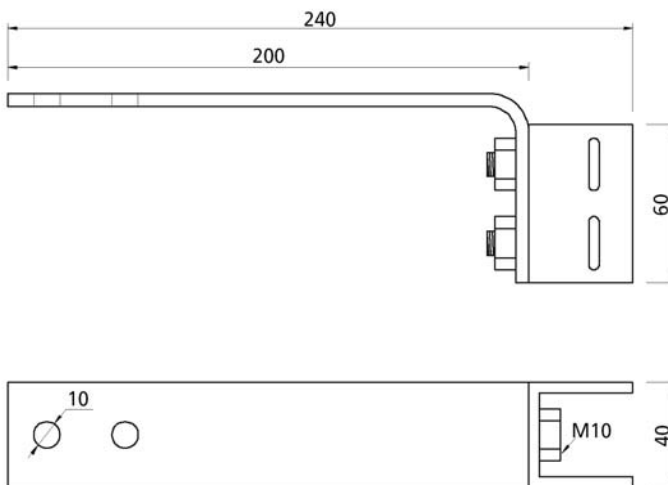
Mounting brackets for Dual and Single Tech Detectors (DT 272, DT 351, IR 30x, MW 33x)

ZA P L1



Mounting accessory with straps for poles (diameter 4 – 16 cm)

ZA V 201



Mounting accessory with 20 cm extension with straps for pole (diameter 4 – 16 cm)



Detector pole mounted with ZA P 450-L0 including ZA P -L1



Detector mounted with ZA V 201

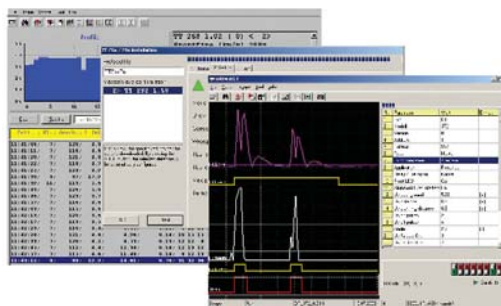
Interface Box and Software for all Detectors

IF 485B



RS 485 to USB/RS 232 interface module

ASIM-T Installation Software



ASIM-T Software for installation, commissioning and analysis